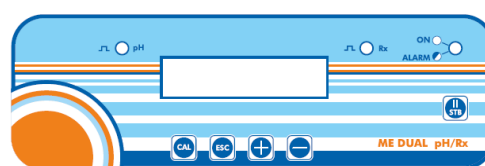


# DOUBLE SYSTEM ME DUAL PH/REDOX

## Data Sheet

### DESCRIPTION

- ✓ Double system with built in PH/ REDOX and Temperature C° controller
- ✓ Flow rate in %
- ✓ 3 different operating mode: **constant, ON / OFF, proportional**
- ✓ Menu available in 4 languages: **Italian, English, French, Spanish**
- ✓ Start up delay
- ✓ Timed overdose alarm (TAL System Protection)
- ✓ Alarm relay (free contact)
- ✓ Default parameter restore option
- ✓ PH Stability mode
- ✓ STAND BY modality
- ✓ Over / under range signal
- ✓ Backlit LCD display
- ✓ PP reinforced box IP 65
- ✓ 230 V 50-60 Hz standard power supply



### OPTIONAL

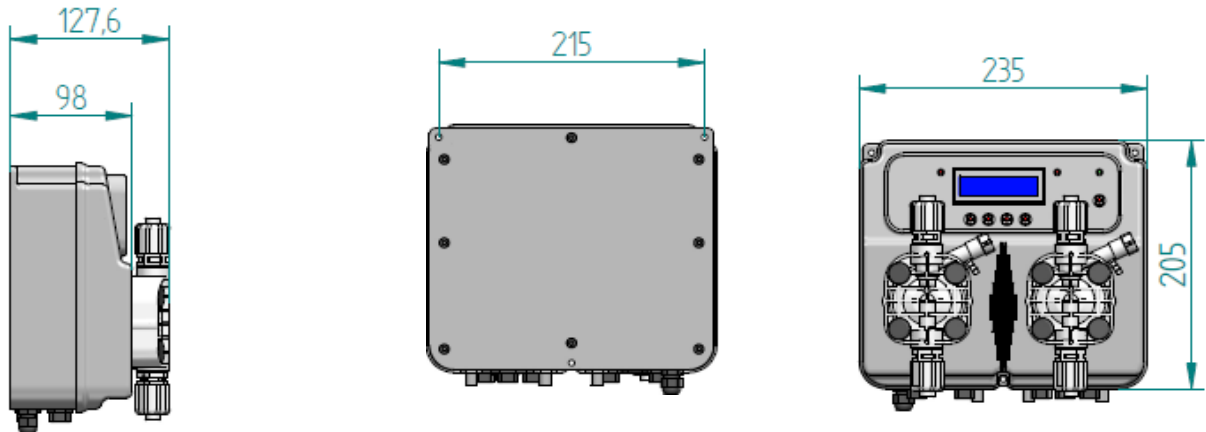
- ✓ Level probe input
- ✓ Flow sensor input
- ✓ ON / OFF switch
- ✓ PP pump heads

	UPON REQUEST	STANDARD
Pump head	PP fittings 1/2"	PVDF fittings 1/2"
Balls	Ceramic, PTFE, AISI 316	Pyrex
Diaphragm	-----	PTFE
Fittings	PP	PVDF
Seals	EPDM	Viton®
Valve Body	PP 4 x 6	PVDF 4 x 6
Foot filter	PP 4 x 6 ball valve	PVDF 4 x 6 lip valve
Injection valve	PP 4x6 ball valve	PVDF fittings 4 x 6 lip valve
Suction tube	PVDF 4 x 6	PVC 4 x 6
Delivery tube	PVDF 4 x 6	PE 4 x 6

# DOUBLE SYSTEM ME DUAL PH/REDOX

## Data Sheet

SPECIFICATIONS											
Standard	Max l/h	Pressure		Max cc / imp	Stroke	Solenoid	Pump Head	Power [Watt]	Pulses	Weight	
		Bar	PSI							kg.	Lbs
REDOX pump	10	02	29,4	1,11	1,3	Ø 80	PVDF	60	150	8	15,3
PH pump	05	10	145	0,55	1,1	Ø 80	PVDF	60	150		



### DIMENSIONS

ACCESSORIES KIT					
	<b>Injection valve PVDF SP VITON</b>	<b>Foot filter PVDF SP VT</b>	<b>Delivery tube 2mt PE 4x6</b>	<b>Suction tube 2mt PVC 4x6</b>	<b>Bleed tube 1,5mt PVC 4x6</b>
<b>STANDARD KIT</b>	