

# DOUBLE SYSTEM

## ME DUAL PH/REG - REDOX

Data  
Sheet

### DESCRIPTION

- ✓ Double system with built in pH Redox and T° controller
- ✓ Flow rate display in percentage
- ✓ **3 different functioning mode:** constant, ON / OFF, proportional
- ✓ menu available in 4 languages: ITALIAN, ENGLISH, FRANCE, SPANISH
- ✓ Password protected
- ✓ Start up delay
- ✓ Time overdose alarm
- ✓ Alarm relay ( free contact )
- ✓ Default parameter restore option
- ✓ pH Stability mode (settable)
- ✓ STAND BY modality
- ✓ Over / under range signal
- ✓ Backlit LCD
- ✓ PP reinforced case
- ✓ IP 65
- ✓ 230vac 50-60 Hz standard power supply

### OPTIONAL

- ✓ Level probe input
- ✓ Flow sensor input
- ✓ ON / OFF switch



### SPECIFICATIONS

	Upon request	Standard
<b>Pump head</b>	PP attacchi 1/2"	PVDF attacchi 1/2"
<b>Balls</b>	Ceramic, PTFE, AISI 316	Pyrex
<b>Diafraghm</b>	-----	PTFE
<b>Fittings</b>	PP	PVDF
<b>Seals</b>	EPDM	Viton®
<b>Valve cartridge</b>	PP 4 x 6	PVDF 4 x 6
<b>Foot filter</b>	PP 4 x 6 ball valve	PVDF 4 x 6 lip valve
<b>Injection valve</b>	PP 4x6 ball valve	PVDF attacchi 4 x 6 lip valve
<b>Suction tube</b>	PVDF 4 x 6	PVC 4 x 6
<b>Delivery tube</b>	PVDF 4 x 6	PE 4 x 6

Specifications subject to change without further notice

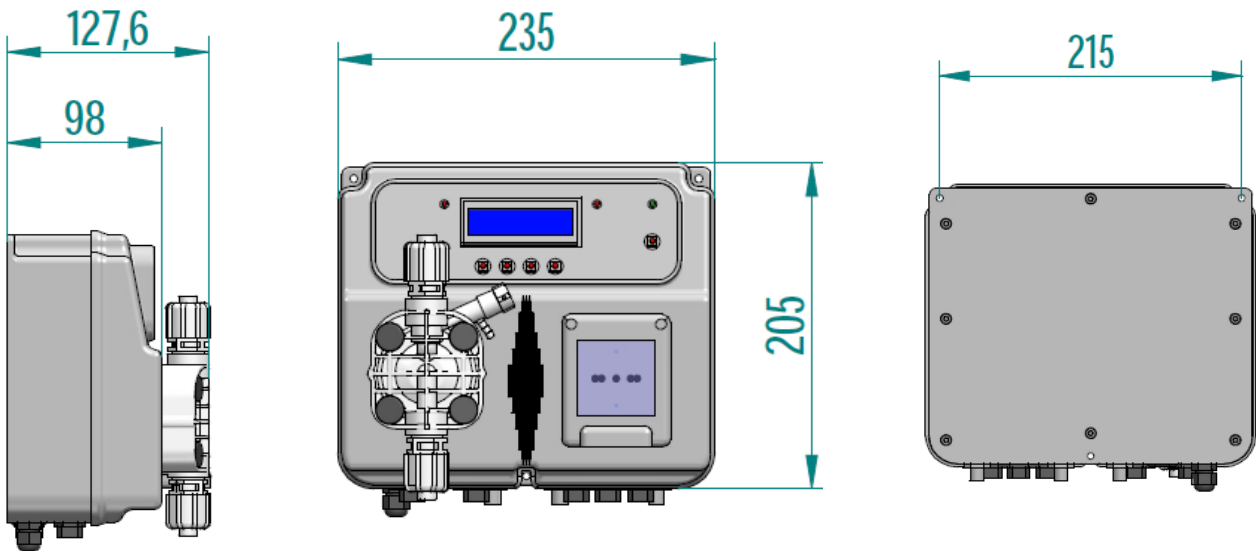
Via Maestri del Lavoro,5 - 02100 Vazia (RI) - ITALY Tel.: + 39(0)746-229064; Fax: + 39(0)746-221224  
e-mail: info@microdos.it ; Web site: www.microdos.it

# DOUBLE SYSTEM

## ME DUAL PH/REG -REDOX

Data  
Sheet

SPECIFICATIONS											
Standard	Max lt/h	pressure		Max cc / imp	Stroke	Solenoid	Pump Head	Watt	Pulses	Weight	
		Bar	PSI							kg.	Lbs
Ph pump	05	10	145	0,55	1,1	Ø 80	PVDF	50	150		
Plug	230 VAC 50-60 Hz 1A										



### DIMENSIONS

Specifications subject to change without further notice

Via Maestri del Lavoro,5 - 02100 Vazia (RI) - ITALY Tel.:+ 39(0)746-229064; Fax:+ 39(0)746-221224  
e-mail: info@microdos.it ; Web site: www.microdos.it

# DOUBLE SYSTEM

## ME DUAL PH/REG -REDOX

Data  
Sheet

### ACCESSORIES KIT

	Injection valve PP SP VITON	Foot filter PP SP VITON	Delivery tube 2mt PE 4x6	Suction tube 2mt PVC 4x6	Bleed tube 1,5mt PVC 4x6
STANDARD KIT					

### INSTALLATION KIT PH LONG type SENSOR COMPLETE OF 2 SADDLE CLAMPS (SOL PH7-PH9) CODE 11.100.178

	PH electrode, epoxy body cable lenght 5 mt.	Buffer Solutions pH 7,00 e pH 9,00	Nr. 2 Saddle clamps d.50 att. 1/2"	In line probe holder 1/2" PP
INSTALLATION KIT UPON REQUEST				

### INSTALLATION KIT REDOX LONG TYPESENSOR COMPLETE OF 2 SADDLE CLAMPS 11.100.179

	Redox electrode, epoxy body cable lenght 5 mt.	Buffer Solution 468 mV	Nr. 2 Saddle clamps d.50 att. 1/2"	In line probe holder 1/2" PP
				

Specifications subject to change without further notice

Via Maestri del Lavoro,5 - 02100 Vazia (RI) - ITALY Tel.:+ 39(0)746-229064; Fax:+ 39(0)746-221224  
e-mail: info@microdos.it ; Web site: www.microdos.it