

PERISTALTIC PUMP

MP2-C 230 VAC CONDUCTIVITY

Data
Sheet

DESCRIPTION

- ✓ Peristaltic pump with proportional flow rate according to conductivity values detected in the water
- ✓ Reinforced PP body
- ✓ Polycarbonate front panel
- ✓ Standard 20-230 Vac multi-voltage power supply
- ✓ 10-100% adjustment
- ✓ 100 % Made in Italy
- ✓ CE approved
- ✓ **K1** or **K5** conductivity probe must be specified in the order



OPTIONAL

- ✓ ON / OFF switch
- ✓ SCHUKO plug

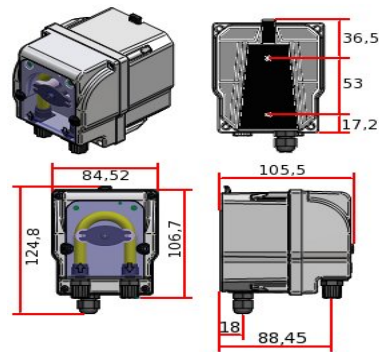
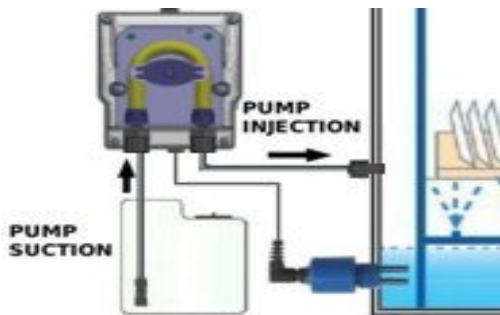
DESCRIPTION		
	Standard Material	Upon Request
Standard Version		
Box	PP	-----
Roller	DELRIN	-----
Tube	Santoprene	Silicon
Power Supply	230 V 50 – 60 Hz	-----
Consumption	35 Watt	-----
Net Weight	0,5 kg.	-----
Ring Nuts	PP 1/8"	-----
Fittings	PP 4 x 6 mm	-----
DETERGENT KIT		
DETERGENT		
Suction tube	PVC 4 x 6	
Delivery Tube	PVC 4 x 6	
Injection fitting	PP 90°	SS 90°
Foot filter	SS RUBBER HOLDER	
Conductivity electrode	K1 0..20 mS / k5 0..2 mS	

PERISTALTIC PUMP

MP2-C 230 VAC CONDUCTIVITY

Data
Sheet

TECHNICAL SPECIFICATIONS											
Standard	Max l/h	Pressure		Max cc / min	Tube	Dimensions	Box	Power [Watt]	RPM	Weight	
		Bar	PSI							kg.	Lbs
1,5 - 01	1,5	01	14,7	25	Santoprene	5,8 x 9,4	PP	35	10	0,5	1,2
04 - 01	04	01	14,7	66,67	Santoprene	5,8 x 9,4	PP	35	40	0,5	1,2
06 - 01	06	01	14,7	100	Santoprene	5,8 x 9,4	PP	35	40	0,5	1,2



Model	Electrode	Range	Conection	Constant	Body
PRO-CD-KJ1	Stainless steel AISI316	1 $\mu\text{s/cm}$ up to 20.000 $\mu\text{s/cm}$	jack	K=1 cm (1 cm-1) $\pm 5\%$	PVC
PRO-CD-KJ5	Stainless steel AISI316	0,5-1 $\mu\text{s/cm}$ up to 1600 $\mu\text{s/cm}$	Jack	K=5 cm (0,2cm-1) $\pm 5\%$	PVC



Model	Electrode	Range	Constant	Body
PRO-CD-K5	Stainless steel AISI 316	0,5-1 $\mu\text{s/cm}$ up to 1600 $\mu\text{s/cm}$	K=5 cm (0,2cm-1) $\pm 5\%$	PVC
PRO-CD-KP5 C/PT1000	Stainless steel AISI 316	0,5-1 $\mu\text{s/cm}$ up to 1600 $\mu\text{s/cm}$	K=5 cm (0,2cm-1) $\pm 5\%$	PTFE



Model	Electrode	Range	Constant	Body
PRO-CD-K1	Grafite	1 $\mu\text{s/cm}$ up to 20.000 $\mu\text{s/cm}$	K=1 cm (1 cm-1) $\pm 5\%$	PVC
PRO-CD-KP1 C/PT1000	Grafite	1 $\mu\text{s/cm}$ up to 20.000 $\mu\text{s/cm}$	K=1 cm (1 cm-1) $\pm 5\%$	PTFE



